

555

556

Timers

SIGNATURES

the IC professionals

LINEAR INTEGRATED CIRCUITS

DESCRIPTION

The 555 timer is a monolithic silicon device which provides a wide range of functions in producing accurate time delays, in addition, it is capable of operating as a square wave generator, a monostable multivibrator, or as a free-running oscillator. It is a ruggedly constructed, low-power, precision timer which is available in both surface-mount and through-hole packages. The 555 timer is built on a silicon monolithic chip and is available in both surface-mount and through-hole packages. The 555 timer is built on a silicon monolithic chip and is available in both surface-mount and through-hole packages.

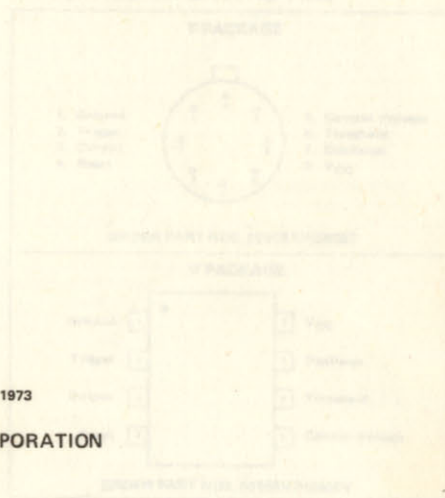
FEATURES

- TIMING THROUGH FIVE PINNALS
- OPERATES IN BOTH ASTABLE AND MONOSTABLE MODES
- ADJUSTABLE DUTY CYCLE
- LOW CURRENT OUTPUT CAN SOURCE OR SINK 100mA
- OUTPUT CAN DRIVE TET
- TEMPERATURE STABILITY OF 50PPM/°C
- NORMALLY ON AND NORMALLY OFF OUTPUT

APPLICATIONS

- SECURITY TONES
- LINE GENERATION
- EQUALIZER TONES
- ONE DELAY CIRCUIT
- ONE WITH MONOSTABLE
- ONE WITH MONOSTABLE
- ONE WITH MONOSTABLE
- ONE WITH MONOSTABLE
- ONE WITH MONOSTABLE
- ONE WITH MONOSTABLE

PIN CONFIGURATIONS (Top View)



Copyright 1973

SIGNETICS CORPORATION

ABSOLUTE MAXIMUM RATINGS

Supply Voltage	±18V
Power Dissipation	400mW
Operating Temperature Range	0°C to 70°C
Storage Temperature Range	-55°C to 125°C
Lead Temperature (Soldering)	260°C

Signetics Corporation reserves the right to make changes in the products contained in this book in order to improve design or performance and to supply the best possible product.

Signetics Corporation assumes no responsibility for the use of any circuits described herein and makes no representations that they are free from patent infringement.



LINEAR INTEGRATED CIRCUITS

DESCRIPTION

The NE/SE 555 monolithic timing circuit is a highly stable controller capable of producing accurate time delays, or oscillation. Additional terminals are provided for triggering or resetting if desired. In the time delay mode of operation, the time is precisely controlled by one external resistor and capacitor. For a stable operation as an oscillator, the free running frequency and the duty cycle are both accurately controlled with two external resistors and one capacitor. The circuit may be triggered and reset on falling waveforms, and the output structure can source or sink up to 200mA or drive TTL circuits.

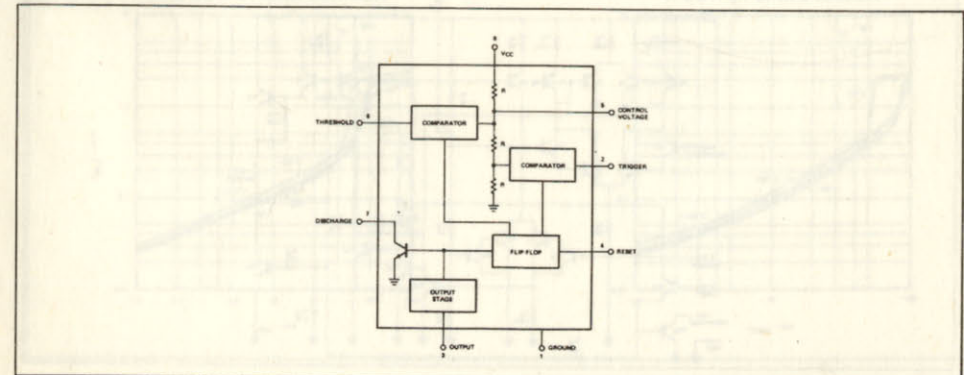
FEATURES

- TIMING THROUGH NINE DECADES
- OPERATES IN BOTH ASTABLE AND MONOSTABLE MODES
- ADJUSTABLE DUTY CYCLE
- HIGH CURRENT OUTPUT CAN SOURCE OR SINK 200mA
- OUTPUT CAN DRIVE TTL
- TEMPERATURE STABILITY OF 0.05% PER °C
- NORMALLY ON AND NORMALLY OFF OUTPUT

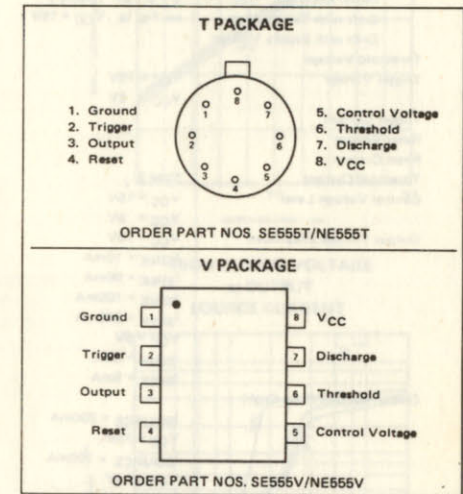
APPLICATIONS

- PRECISION TIMING
- PULSE GENERATION
- SEQUENTIAL TIMING
- TIME DELAY GENERATION
- PULSE WIDTH MODULATION
- PULSE POSITION MODULATION
- MISSING PULSE DETECTOR

BLOCK DIAGRAM



PIN CONFIGURATIONS (Top View)



ABSOLUTE MAXIMUM RATINGS

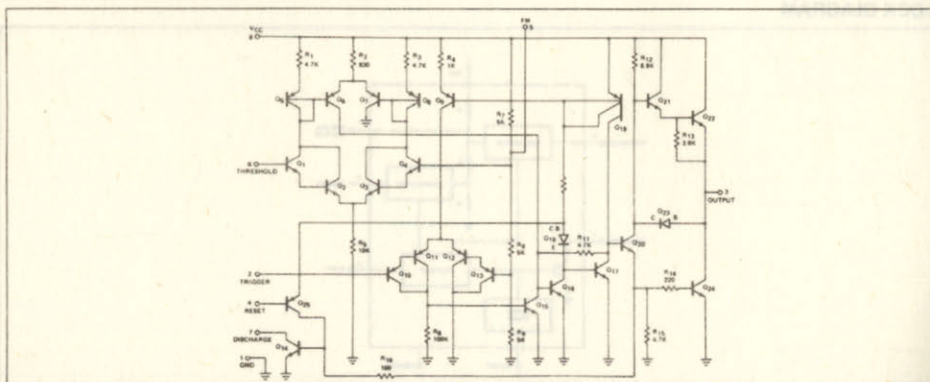
Supply Voltage	+18V
Power Dissipation	600 mW
Operating Temperature Range	
NE555	0°C to +70°C
SE555	-55°C to +125°C
Storage Temperature Range	-65°C to +150°C
Lead Temperature (Soldering, 60 seconds)	+300°C

ELECTRICAL CHARACTERISTICS $T_A = 25^\circ\text{C}$, $V_{CC} = +5\text{V}$ to $+15$ unless otherwise specified

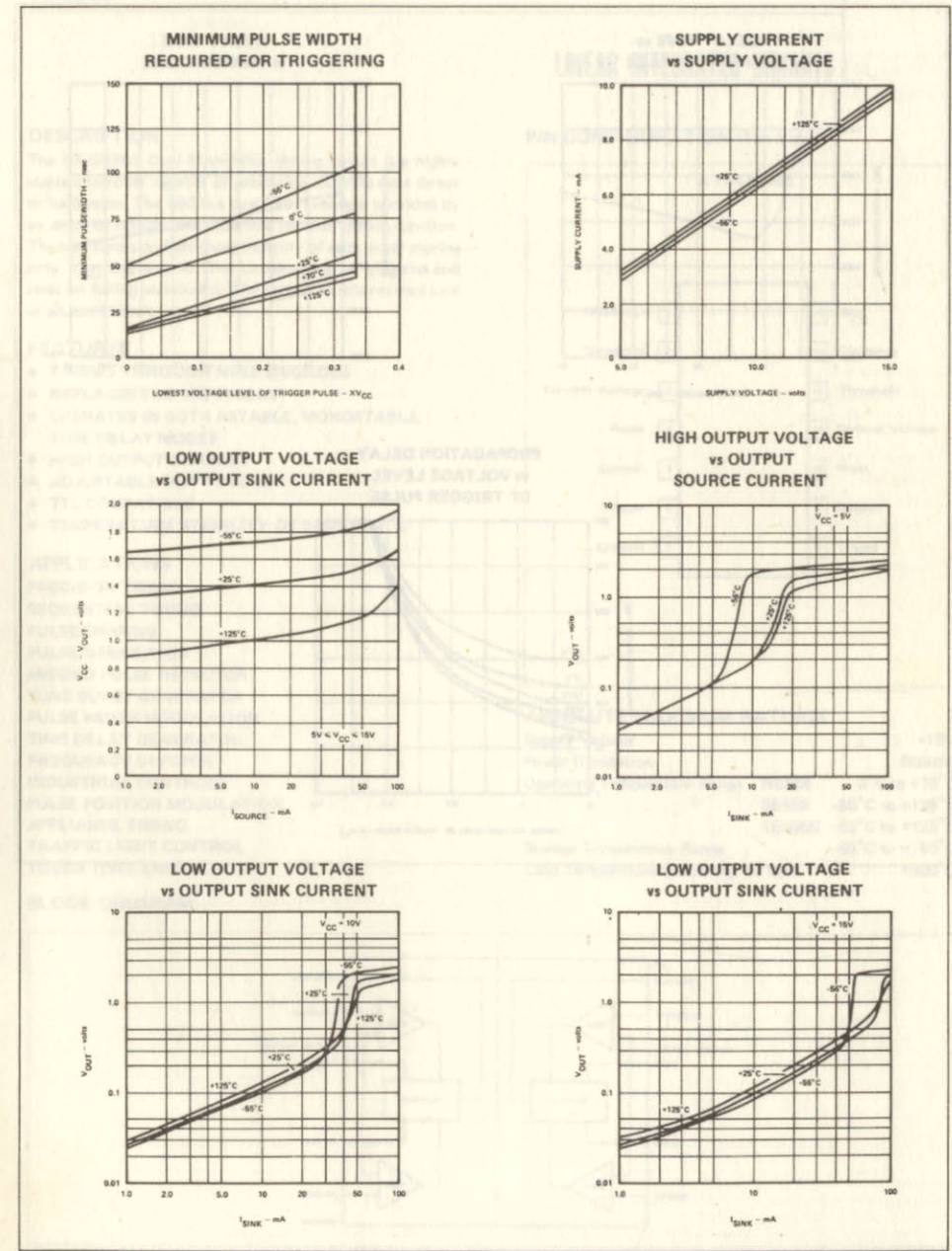
PARAMETER	TEST CONDITIONS	SE 555			NE 555			UNITS
		MIN	TYP	MAX	MIN	TYP	MAX	
Supply Voltage		4.5			4.5			V
Supply Current	$V_{CC} = 5\text{V}$ $R_L = \infty$		3	5		3	6	mA
	$V_{CC} = 15\text{V}$ $R_L = \infty$		10	12		10	15	
Timing Error								%
Initial Accuracy	$R_A = 1\text{K}\Omega$ to $100\text{K}\Omega$ $C = 0.1\ \mu\text{F}$ Note 2		0.5	2		1		%
Drift with Temperature	see Fig. 1a $V_{CC} = 15\text{V}$		30	100		50		ppm/ $^\circ\text{C}$
Drift with Supply Voltage			0.05	0.2		0.1		%/Volt
Threshold Voltage			2/3			2/3		$\times V_{CC}$
Trigger Voltage	$V_{CC} = 15\text{V}$ $V_{CC} = 5\text{V}$	4.8	5	5.2		5		V
Trigger Current		1.45	1.67	1.9		1.67		V
Reset Voltage			0.5			0.5		μA
Reset Current		0.4	0.7	1.0	0.4	0.7	1.0	V
Threshold Current			0.1			0.1		μA
Control Voltage Level	Note 3 $V_{CC} = 15\text{V}$ $V_{CC} = 5\text{V}$	9.6	10	10.4	9.0	10	11	V
Output Voltage Drop (low)	$V_{CC} = 15\text{V}$	2.9	3.33	3.8	2.6	3.33	4	V
	$I_{\text{SINK}} = 10\text{mA}$		0.1	0.15		0.1	.25	V
	$I_{\text{SINK}} = 50\text{mA}$		0.4	0.5		0.4	.75	V
	$I_{\text{SINK}} = 100\text{mA}$		2.0	2.2		2.0	2.5	V
	$I_{\text{SINK}} = 200\text{mA}$		2.5			2.5		V
Output Voltage Drop (high)	$V_{CC} = 5\text{V}$		0.1	0.25		.25	.35	V
	$I_{\text{SINK}} = 8\text{mA}$							
	$I_{\text{SINK}} = 5\text{mA}$							
	$I_{\text{SOURCE}} = 200\text{mA}$ $V_{CC} = 15\text{V}$	13.0	13.3		12.75	13.3		V
	$I_{\text{SOURCE}} = 100\text{mA}$ $V_{CC} = 15\text{V}$	3.0	3.3		2.75	3.3		V
Rise Time of Output			100		100			nsec
Fall Time of Output			100		100			nsec

- NOTES
- Supply Current when output high typically 1mA less.
 - Tested at $V_{CC} = 5\text{V}$ and $V_{CC} = 15\text{V}$
 - This will determine the maximum value of $R_A + R_B$. For 15V operation, the max total $R = 20$ megohm.

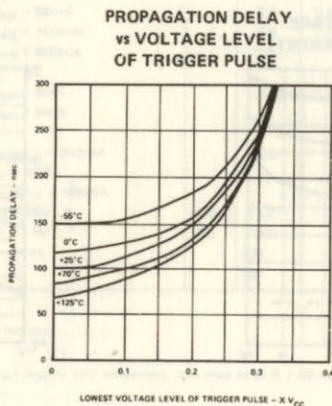
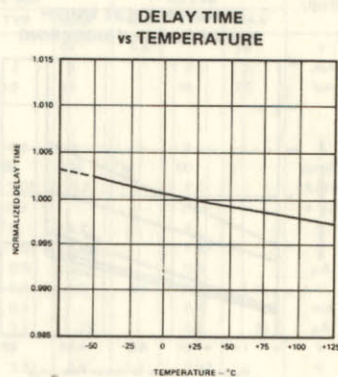
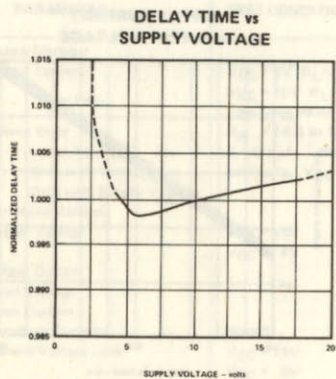
EQUIVALENT CIRCUIT (Shown for One Side Only)



TYPICAL CHARACTERISTICS



TYPICAL CHARACTERISTICS (Cont'd)



LINEAR INTEGRATED CIRCUITS

DESCRIPTION

The NE/SE556 Dual Monolithic timing circuit is a highly stable controller capable of producing accurate time delays or oscillation. The 556 is a dual 555. Timing is provided by an external resistor and capacitor for each timing function. The two timers operate independently of each other sharing only V_{CC} and ground. The circuits may be triggered and reset on falling waveforms. The output structures may sink or source 150mA.

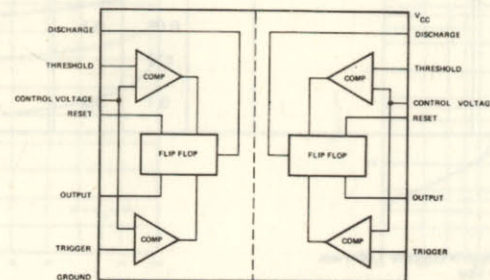
FEATURES

- TIMING THROUGH NINE DECADES
- REPLACES TWO 555 TIMERS
- OPERATES IN BOTH ASTABLE, MONOSTABLE, TIME DELAY MODES
- HIGH OUTPUT CURRENT
- ADJUSTABLE DUTY CYCLE
- TTL COMPATIBLE
- TEMPERATURE STABILITY OF 0.05% PER °C

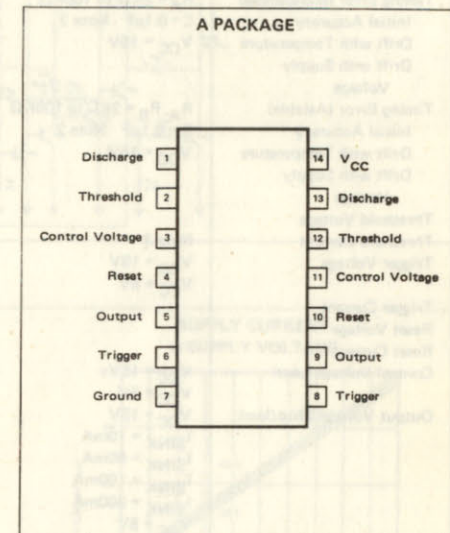
APPLICATIONS

- PRECISION TIMING
- SEQUENTIAL TIMING
- PULSE SHAPING
- PULSE GENERATOR
- MISSING PULSE DETECTOR
- TONE BURST GENERATOR
- PULSE WIDTH MODULATION
- TIME DELAY GENERATOR
- FREQUENCY DIVISION
- INDUSTRIAL CONTROLS
- PULSE POSITION MODULATION
- APPLIANCE TIMING
- TRAFFIC LIGHT CONTROL
- TOUCH TONE ENCODER

BLOCK DIAGRAM



PIN CONFIGURATION (Top View)



ABSOLUTE MAXIMUM RATINGS

Supply Voltage	+18V
Power Dissipation	600mW
Operating Temperature Range	NE556 0°C to +70°C
	SE556 -55°C to +125°C
	SE556C -55°C to +125°C
Storage Temperature Range	-65°C to +150°C
Lead Temperature (Soldering, 60 sec)	+300°C

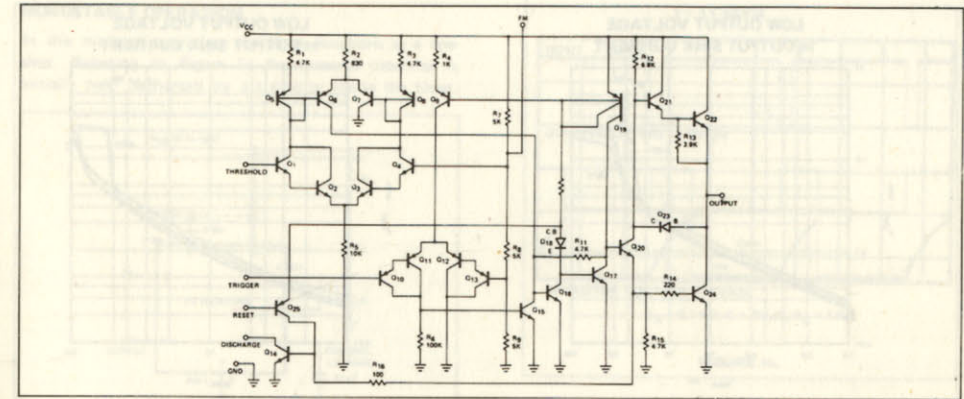
ELECTRICAL CHARACTERISTICS $T_A = 25^\circ\text{C}$, $V_{CC} = +5\text{V}$ to $+15$ unless otherwise specified

PARAMETER	TEST CONDITIONS	SE 556			NE 556			UNITS
		MIN	TYP	MAX	MIN	TYP	MAX	
Supply Voltage		4.5		18	4.5		16	V
Supply Current	$V_{CC} = 5\text{V}$ $R_L = \infty$		3	5		3	6	mA
	$V_{CC} = 15\text{V}$ $R_L = \infty$ Low State, Note 1		10	11		10	14	mA
Timing Error (Monostable)	$R_A = 2\text{K}\Omega$ to $100\text{K}\Omega$ $C = 0.1\mu\text{F}$ Note 2 $V_{CC} = 15\text{V}$		0.5	1.5		0.75		%
Initial Accuracy			30	100		50		ppm/ $^\circ\text{C}$
Drift with Temperature			0.05	0.2		0.1		%/Volt
Drift with Supply Voltage								
Timing Error (Astable)	$R_A, R_B = 2\text{K}\Omega$ to $100\text{K}\Omega$ $C = 0.1\mu\text{F}$ Note 2 $V_{CC} = 15\text{V}$		1.5			2.25		%
Initial Accuracy			90			150		ppm/ $^\circ\text{C}$
Drift with Temperature			0.15			0.3		%/Volt
Drift with Supply Voltage								
Threshold Voltage	Note 3		2/3			2/3		$\times V_{CC}$
Threshold Current			30	100		30	100	nA
Trigger Voltage	$V_{CC} = 15\text{V}$ $V_{CC} = 5\text{V}$	4.8	5	5.2		5		V
Trigger Current		1.45	1.67	1.9		1.67		V
Reset Voltage			0.5			0.5		μA
Reset Current			0.4	1.0		0.4	1.0	V
Control Voltage Level	$V_{CC} = 15\text{V}$ $V_{CC} = 5\text{V}$	9.6	10	10.4	9.0	10	11	V
Output Voltage Drop (low)	$V_{CC} = 15\text{V}$ $I_{SINK} = 10\text{mA}$ $I_{SINK} = 50\text{mA}$ $I_{SINK} = 100\text{mA}$ $I_{SINK} = 200\text{mA}$ $V_{CC} = 5\text{V}$ $I_{SINK} = 8\text{mA}$ $I_{SINK} = 5\text{mA}$	2.9	3.33	3.8	2.6	3.33	4	V
Output Voltage Drop (high)	$I_{SOURCE} = 200\text{mA}$ $V_{CC} = 15\text{V}$ $I_{SOURCE} = 100\text{mA}$ $V_{CC} = 15\text{V}$ $V_{CC} = 5\text{V}$		12.5			12.5		V
Rise Time of Output		13.0	13.3		12.75	13.3		V
Fall Time of Output		3.0	3.3		2.75	3.3		V
Discharge Leakage Current			100			100		nsec
Matching Characteristics (Note 4)			20	100		20	100	nsec
Initial Timing Accuracy			0.05	0.1		0.1	0.2	nA
Timing Drift with Temperature			± 10			± 10		%
Drift with Supply Voltage			0.1	0.2		0.2	0.5	ppm/ $^\circ\text{C}$

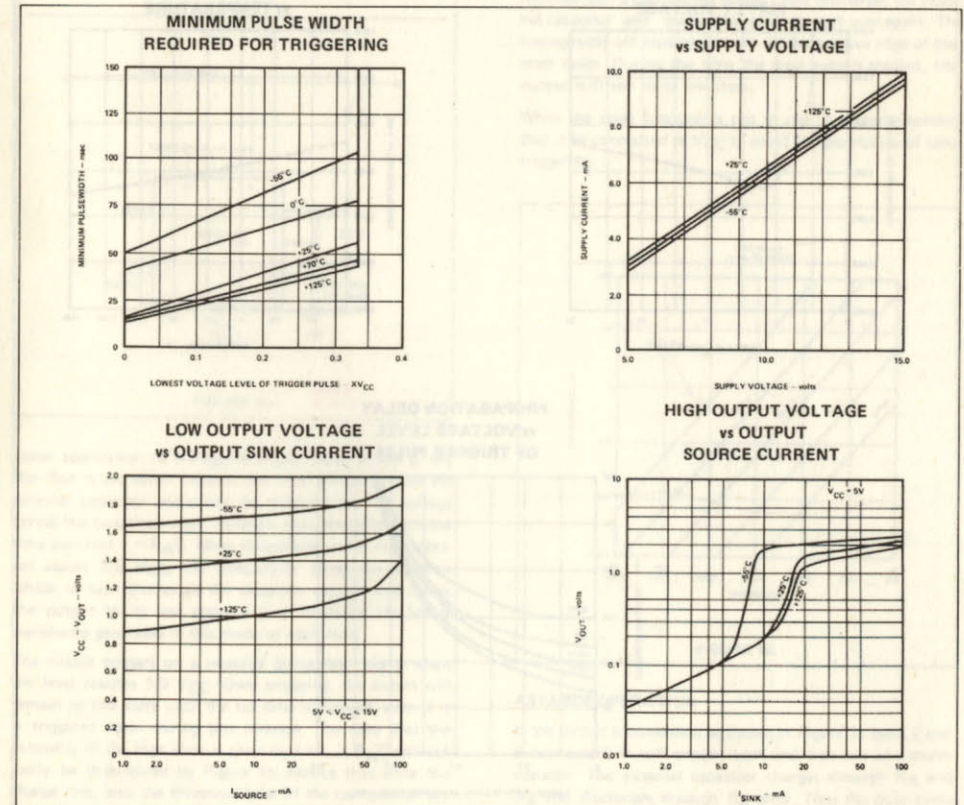
NOTES

- Supply current when output is high is typically 1.0ma less.
- Tested at $V_{CC} = 5\text{V}$ and $V_{CC} = 15\text{V}$.
- This will determine the maximum value of $R_A + R_B$ for 15V operation. The maximum total $R = 20$ meg-ohms.
- Matching characteristics refer to the difference between performance characteristics of each timer section.

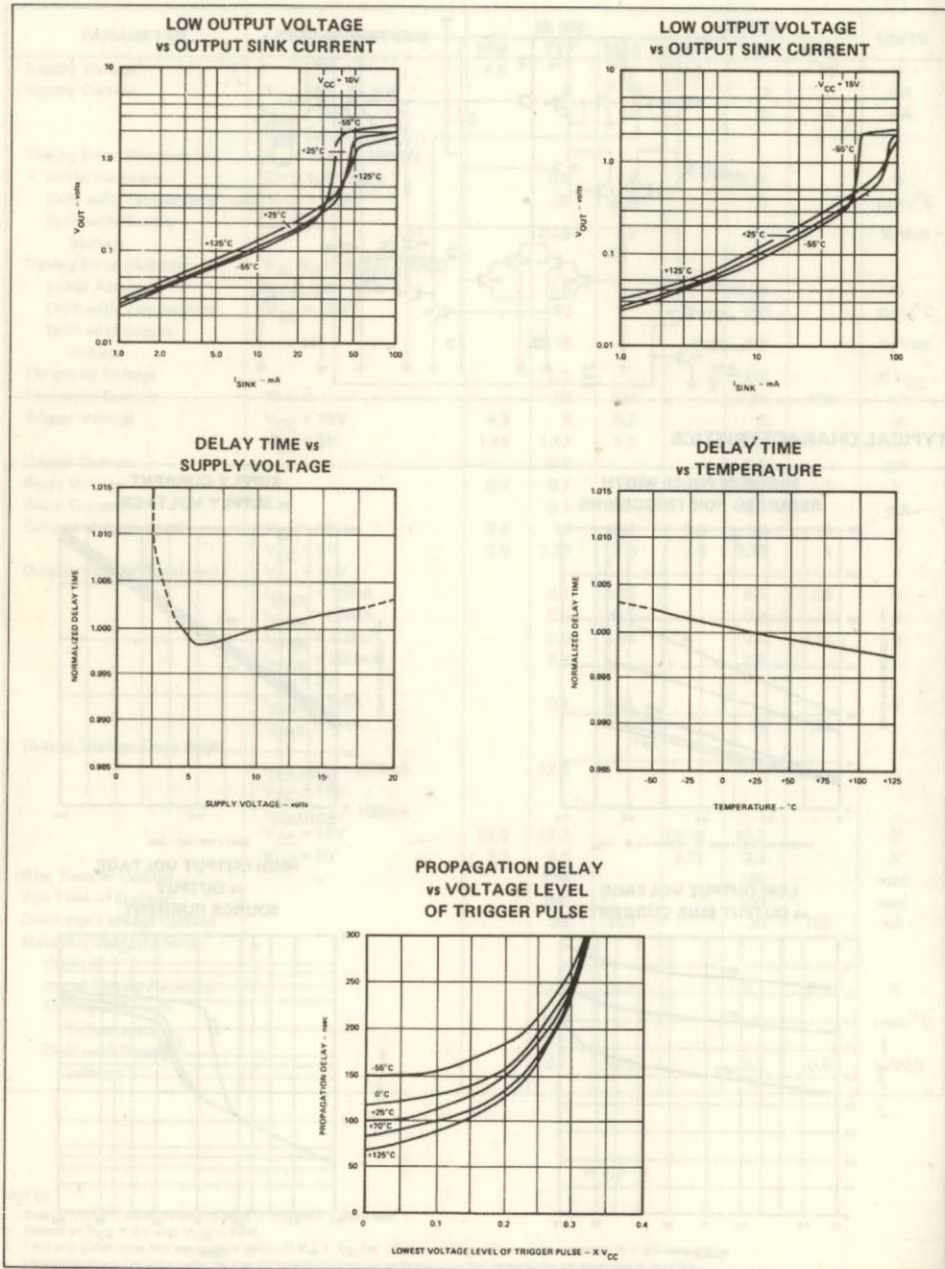
EQUIVALENT CIRCUIT (Shown for One Side Only)



TYPICAL CHARACTERISTICS

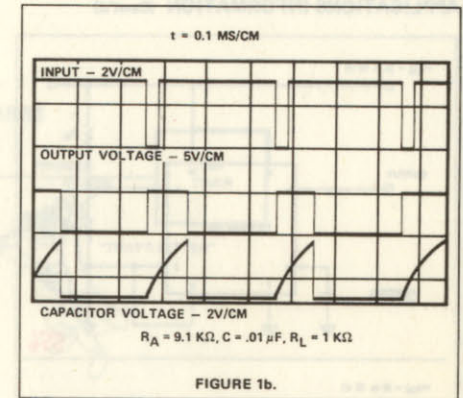
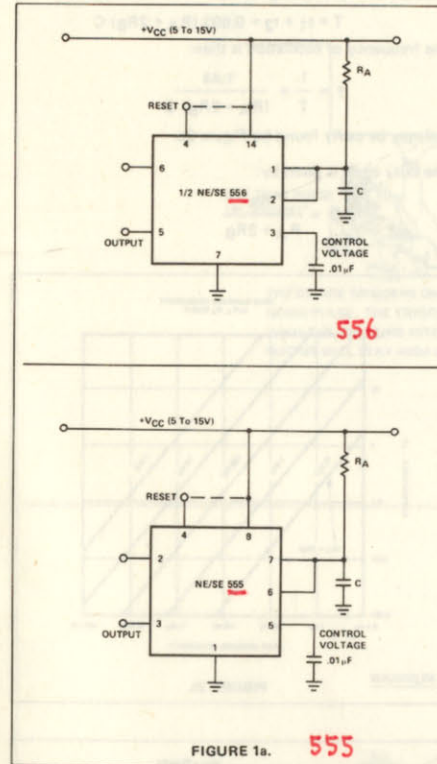


TYPICAL CHARACTERISTICS (Cont'd)



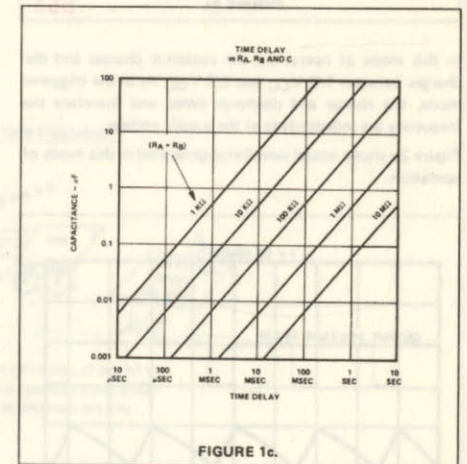
APPLICATIONS INFORMATION
 MONOSTABLE OPERATION

In this mode of operation, the timer functions as a one-shot. Referring to Figure 1a the external capacitor is initially held discharged by a transistor inside the timer.



interval is independent of supply. Applying a negative pulse simultaneously to the reset terminal (pin 4) and the trigger terminal (pin 2) during the timing cycle discharges the external capacitor and causes the cycle to start over again. The timing cycle will now commence on the positive edge of the reset pulse. During the time the reset pulse is applied, the output is driven to its low state.

When the reset function is not in use, it is recommended that it be connected to V_{CC} to avoid any possibility of false triggering.



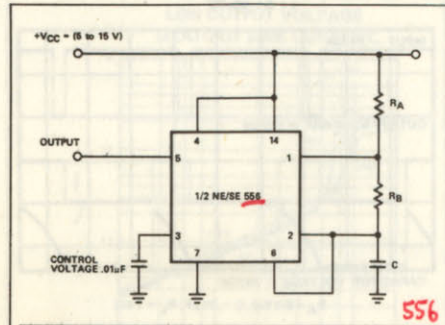
Upon application of a negative trigger pulse to pin 2, the flip-flop is set which releases the short circuit across the external capacitor and drives the output high. The voltage across the capacitor, now, increases exponentially with the time constant $\tau = R_A C$. When the voltage across the capacitor equals $2/3 V_{CC}$, the comparator resets the flip-flop which in turn discharges the capacitor rapidly and drives the output to its low state. Figure 1b shows the actual waveforms generated in this mode of operation.

The circuit triggers on a negative going input signal when the level reaches $1/3 V_{CC}$. Once triggered, the circuit will remain in this state until the set time is elapsed, even if it is triggered again during this interval. The time that the output is in the high state is given by $t = 1.1 R_A C$ and can easily be determined by Figure 1c. Notice that since the charge rate, and the threshold level of the comparator are both directly proportional to supply voltage, the timing

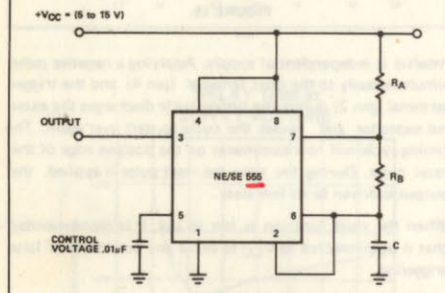
ASTABLE OPERATION

If the circuit is connected as shown in Figure 2a (pins 2 and 6 connected) it will trigger itself and free run as a multi-vibrator. The external capacitor charges through R_A and discharges through R_B only. Thus the duty cycle may be precisely set by the ratio of these two resistors.

APPLICATIONS INFORMATION (Cont'd)



556



555

FIGURE 2a.

In this mode of operation, the capacitor charges and discharges between 1/3 V_{CC} and 2/3 V_{CC}. As in the triggered mode, the charge and discharge times, and therefore the frequency are independent of the supply voltage.

Figure 2b shows actual waveforms generated in this mode of operation.

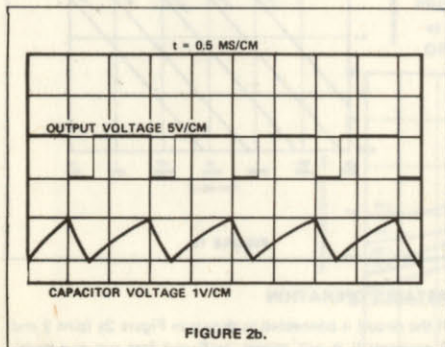


FIGURE 2b.

The charge time (output high) is given by:

$$t_1 = 0.693 (R_A + R_B) C$$

and the discharge time (output low) by:

$$t_2 = 0.693 (R_B) C$$

Thus the total period is given by:

$$T = t_1 + t_2 = 0.693 (R_A + 2R_B) C$$

The frequency of oscillation is then:

$$f = \frac{1}{T} = \frac{1.44}{(R_A + 2R_B) C}$$

and may be easily found by Figure 2c.

The duty cycle is given by:

$$D = \frac{R_B}{R_A + 2R_B}$$

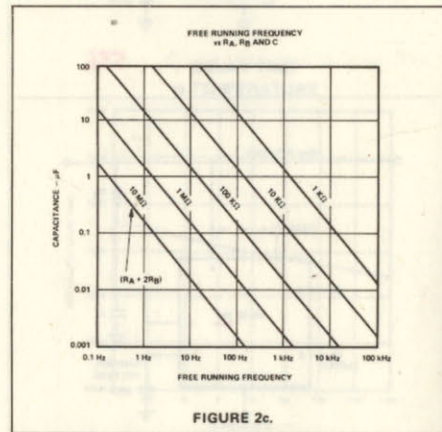
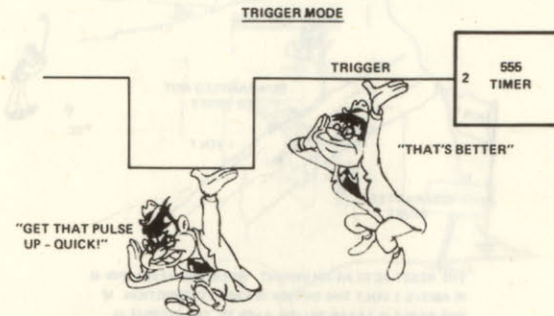
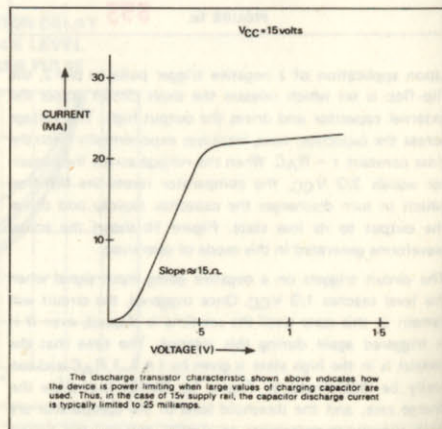


FIGURE 2c.



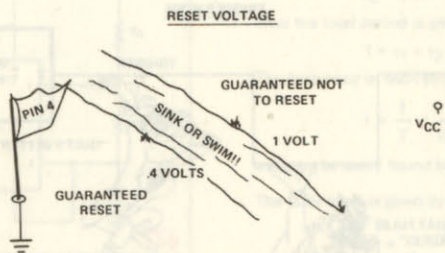
THE DEVICE TRIGGERS ON THE NEGATIVE GOING EDGE OF A LOW GOING PULSE. THE TRIGGER PULSE MUST BE OF SHORTER DURATION THAN THE "RC" TIME INTERVAL. IF THE TRIGGER IS HELD LOW, THE OUTPUT WILL STAY HIGH UNTIL TRIGGER IS DRIVEN HIGH AGAIN.

MAXIMUM OSCILLATION FREQUENCY



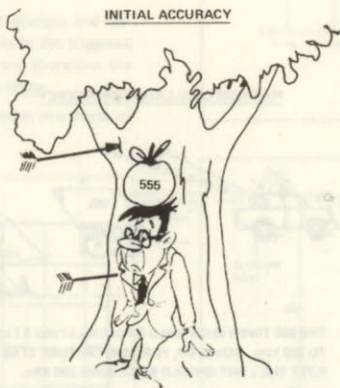
THE 555 TIMER IS CAPABLE OF OSCILLATING AT UP TO 300 KHz. HOWEVER, FOR TEMPERATURE STABILITY THE LIMIT SHOULD BE AROUND 200 KHz.

APPLICATIONS INFORMATION



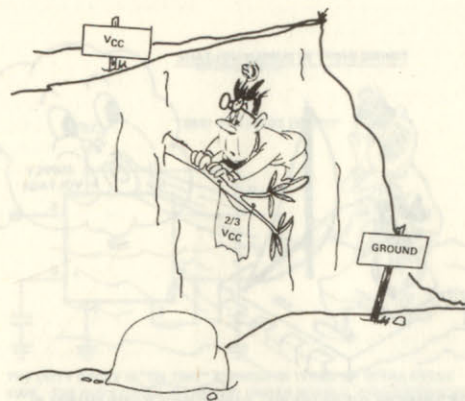
THE RESET ACTS AS AN INHIBIT. WHEN THE RESET (PIN 4) IS ABOVE 1 VOLT THE DEVICE IS FREE TO FUNCTION. IF THE RESET IS TAKEN BELOW 4 VOLTS, THE OUTPUT IS FORCED LOW. WHEN THE RESET IS RELEASED, THE OUTPUT WILL STILL REMAIN LOW UNTIL A TRIGGER PULSE IS APPLIED.

INITIAL ACCURACY



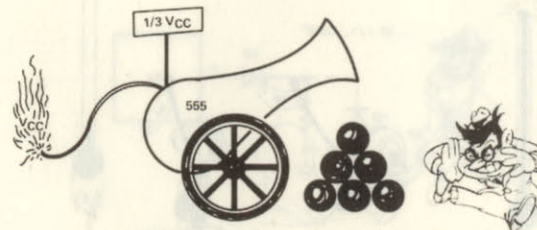
THE INITIAL ACCURACY IS THE TIMING REPEATABILITY FROM DEVICE TO DEVICE AND ALSO THE SAME DEVICE TODAY, TOMORROW AND 3 YEARS FROM NOW, WITH THE SAME "RC" NETWORK AND SUPPLY VOLTAGE. TYPICALLY, THE NE555 HAS A 1% INITIAL ACCURACY.

THRESHOLD VOLTAGE



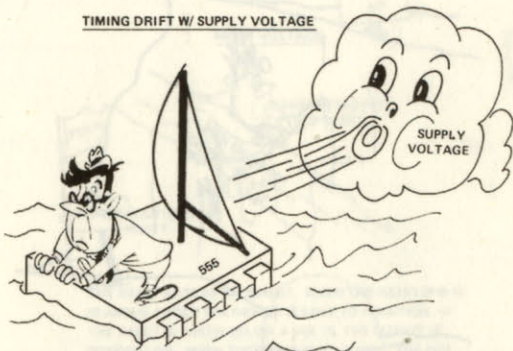
WHEN TRIGGERED, THE TIMER STARTS ITS TIMING CYCLE BY DRIVING THE OUTPUT, PIN 3, HIGH. SIMULTANEOUSLY, THE TIMING CAPACITOR STARTS CHARGING FROM ITS STEADY-STATE LEVEL AT GROUND. WHEN IT REACHES $2/3 V_{CC}$, AN INTERNAL COMPARATOR IS TRIPPED, CAUSING THE CAPACITOR TO DISCHARGE TO GROUND. THIS DRIVES THE OUTPUT LOW, ENDING THE TIMING CYCLE.

TRIGGER VOLTAGE



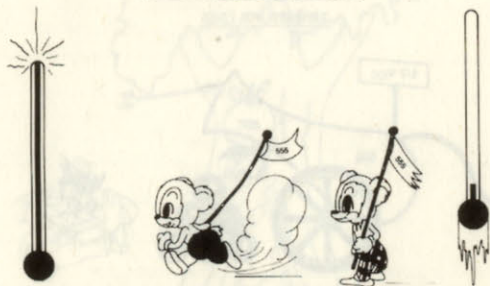
THE TRIGGER PULSE MUST DROP BELOW $1/3$ OF THE SUPPLY VOLTAGE BEFORE THE TIMER TRIGGERS.

TIMING DRIFT W/ SUPPLY VOLTAGE



THE TIMING OF THE DEVICE WILL VARY SLIGHTLY WITH CHANGE IN SUPPLY VOLTAGE. THE TYPICAL TIMING DRIFT IS 0.3% PER VOLT.

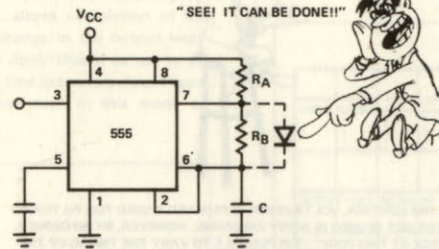
TIMING DRIFT W/ TEMPERATURE



THE TIMER IN THE MONOSTABLE MODE HAS A TIMING DRIFT OF 50 PPM/°C TYPICAL. IN THE ASTABLE MODE, SINCE BOTH COMPARATORS OF THE DEVICE ARE USED, THE DRIFT IS SOMEWHAT GREATER. TYPICALLY 150 PPM/°C DRIFT.

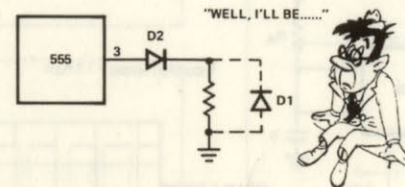
HERE ARE SOME ADDITIONAL APPLICATIONS...
 APPLICATIONS DEVISED BY ENGINEERS IN
 THEIR AND SOME OF OUR CUSTOMERS.

DUTY CYCLE



THE DUTY CYCLE IS "ON TIME" EXPRESS IN TERMS OF TOTAL CYCLE TIME. THE DUTY CYCLE IS LIMITED, UNDER NORMAL CIRCUMSTANCES, TO 50%. HOWEVER, BY ADDING A DIODE A DUTY CYCLE OF LESS THAN 50% CAN BE ACHIEVED.

LATCH UP WHEN DRIVING AN INDUCTIVE LOAD



A NEGATIVE VOLTAGE AT PIN 3 CAN CAUSE A LATCH UP. THE SOLUTION IS TO ADD TWO DIODES AS SHOWN. THIS CIRCUIT PROHIBITS A NEGATIVE VOLTAGE FROM REACHING PIN 3.

CONTROL VOLTAGE

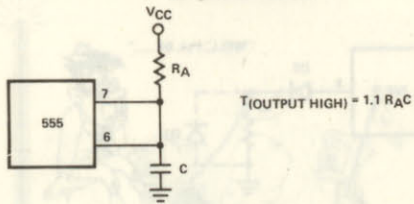


PIN 5, THE CONTROL VOLTAGE PIN, IS PRIMARILY USED FOR FILTERING WHEN DEVICE IS USED IN NOISY ENVIRONS. HOWEVER, BY IMPOSING A VOLTAGE AT THIS POINT, IT IS POSSIBLE TO VARY THE TIMING OF THE DEVICE INDEPENDENTLY OF THE "RC" NETWORK. THE CONTROL VOLTAGE MAY BE VARIED FROM 45% TO 90% OF V_{CC} IN THE MONOSTABLE MODE, AND FROM 1.7 VOLTS TO V_{CC} IN THE ASTABLE MODE.

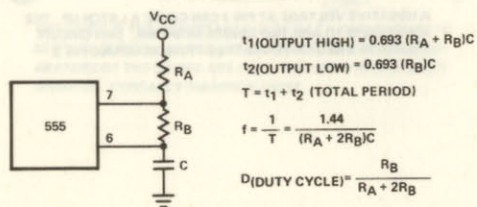
FORMULAS



MONOSTABLE TIMING



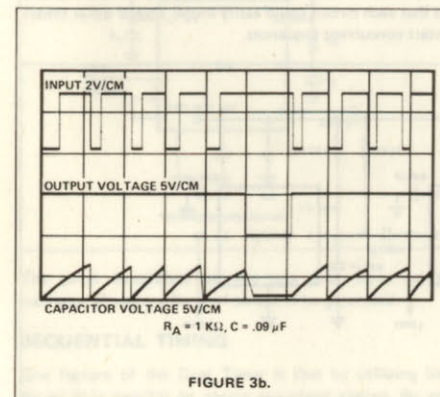
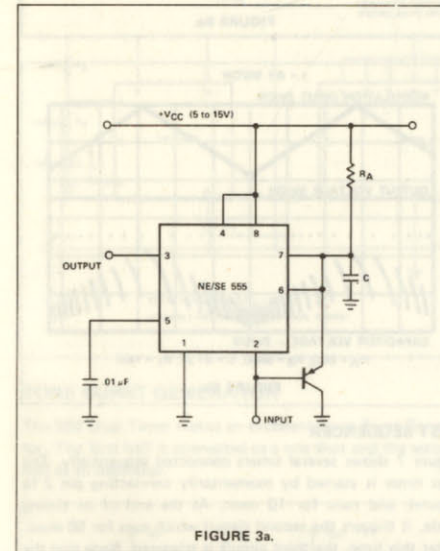
ASTABLE TIMING



HERE ARE SOME ADDITIONAL INGENUOUS APPLICATIONS DEvised BY SIGNETICS ENGINEERS AND SOME OF OUR CUSTOMERS.

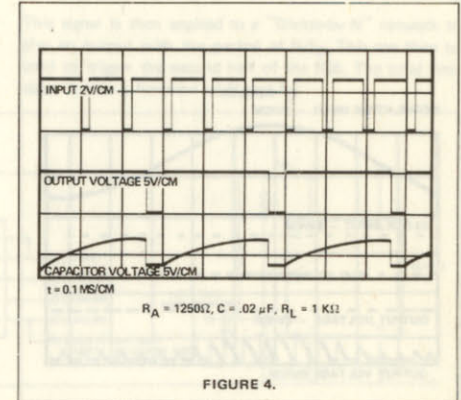
MISSING PULSE DETECTOR

Using the circuit of Figure 3a, the timing cycle is continuously reset by the input pulse train. A change in frequency, or a missing pulse, allows completion of the timing cycle which causes a change in the output level. For this application, the time delay should be set to be slightly longer than the normal time between pulses. Figure 3b shows the actual waveforms seen in this mode of operation.



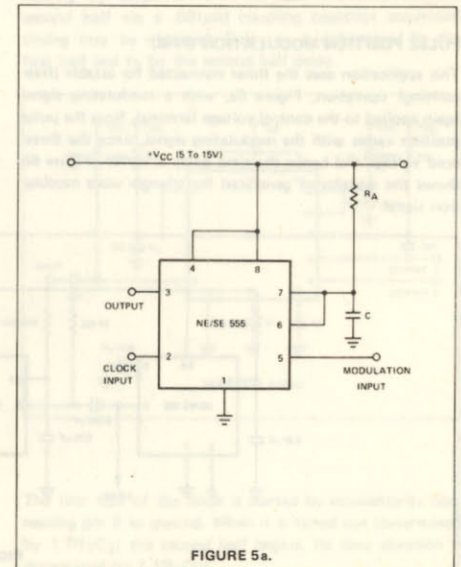
FREQUENCY DIVIDER

If the input frequency is known, the timer can easily be used as a frequency divider by adjusting the length of the timing cycle. Figure 4 shows the waveforms of the timer in Figure 1a when used as a divide by three circuit. This application makes use of the fact that this circuit cannot be retriggered during the timing cycle.



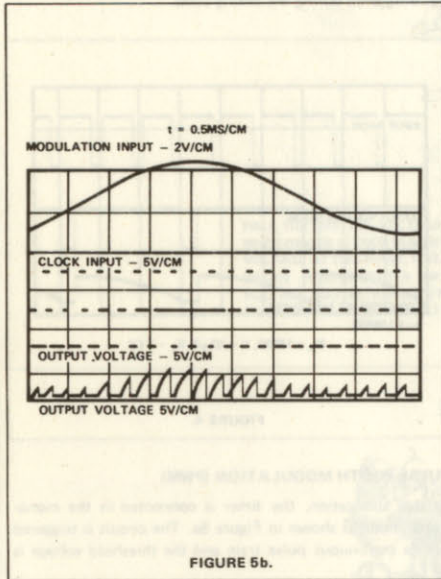
PULSE WIDTH MODULATION (PWM)

In this application, the timer is connected in the monostable mode as shown in Figure 5a. The circuit is triggered with a continuous pulse train and the threshold voltage is



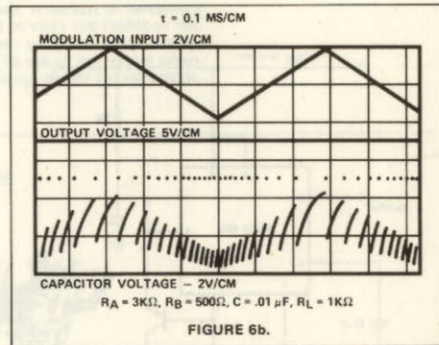
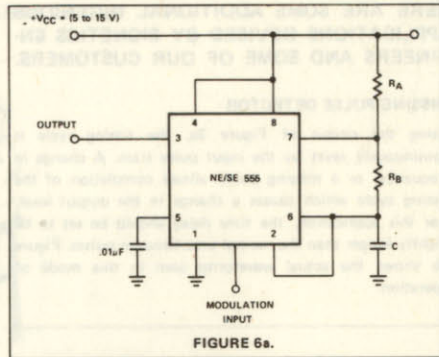
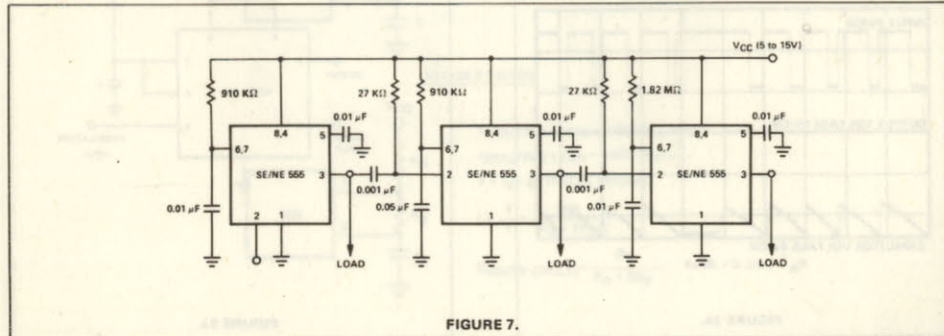
APPLICATIONS INFORMATION (Cont'd)

modulated by the signal applied to the control voltage terminal (pin 5). This has the effect of modulating the pulse width as the control voltage varies. Figure 5b shows the actual waveforms generated with this circuit.



PULSE POSITION MODULATION (PPM)

This application uses the timer connected to astable (free-running) operation, Figure 6a, with a modulating signal again applied to the control voltage terminal. Now the pulse position varies with the modulating signal, since the threshold voltage and hence the time delay is varied. Figure 6b shows the waveforms generated for triangle wave modulation signal.



TEST SEQUENCER

Figure 7 shows several timers connected sequentially. The first timer is started by momentarily connecting pin 2 to ground, and runs for 10 msec. At the end of its timing cycle, it triggers the second circuit which runs for 50 msec. After this time, the third circuit is triggered. Note that the timing resistors and capacitors can be programmed digitally and that each circuit could easily trigger several other timers to start concurrent sequences.

APPLICATIONS INFORMATION

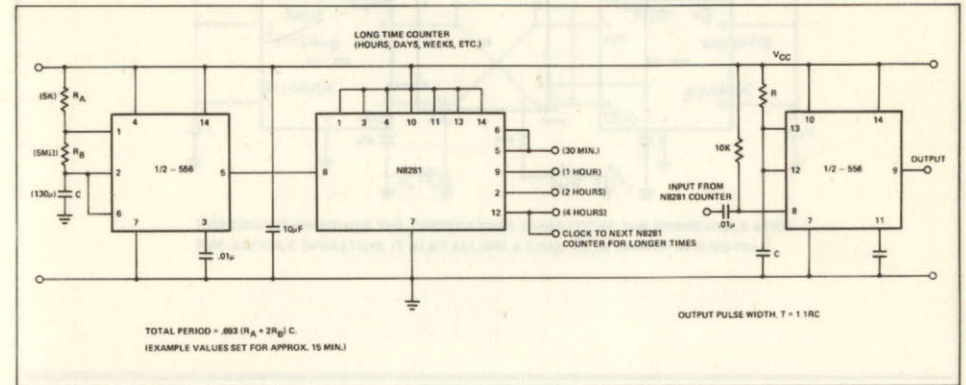
Each half of the 556 behaves like a separate 555 timer and as such all of the applications indicated in the Data Sheet for the 555 also are applicable to the 556.

LONG TIME DELAYS

In the 556 timer the timing is a function of the charging rate of the external capacitor. For long time delays expensive capacitors with extremely low leakage are required. The practicality of the components involved limits the time between pulses to something in the neighborhood of ten minutes.

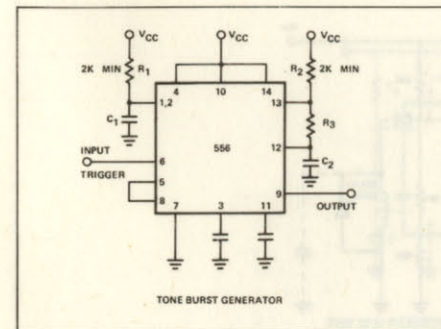
To achieve longer time periods both halves may be connected in tandem with a "Divide-by" network in between the first timer section operates in an oscillatory mode with a period of $1/f_0$.

This signal is then applied to a "Divide-by-N" network to give an output with the period of N/f_0 . This can then be used to trigger the second half of the 556. The total time delay is now a function of N and f_0 .



TONE BURST GENERATOR

The 556 Dual Timer makes an excellent Tone Burst Generator. The first half is connected as a one shot and the second half as an oscillator.

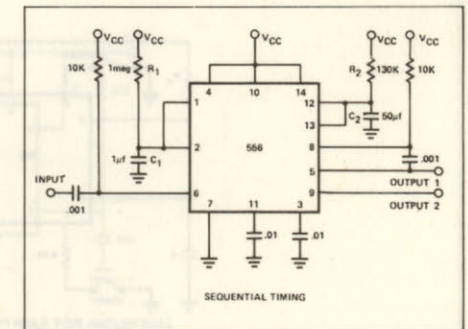


The pulse established by the one shot turns on the oscillator allowing a burst of pulses to be generated.

SEQUENTIAL TIMING

One feature of the Dual Timer is that by utilizing both halves it is possible to obtain sequential timing. By con-

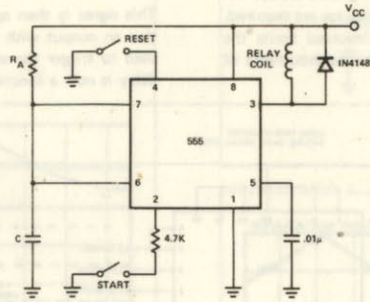
necting the output of the first half to the input of the second half via a .001µfd coupling capacitor sequential timing may be obtained. Delay t_1 is determined by the first half and t_2 by the second half delay.



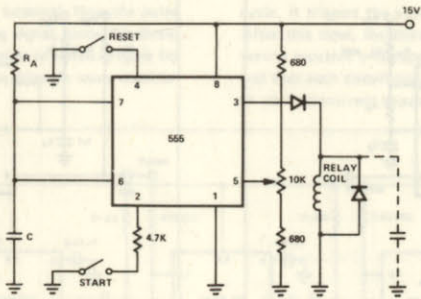
The first half of the timer is started by momentarily connecting pin 6 to ground. When it is timed out (determined by $1.1R_1C_1$) the second half begins. Its time duration is determined by $1.1R_2C_2$.

APPLICATIONS

SIMPLE TIME DELAY

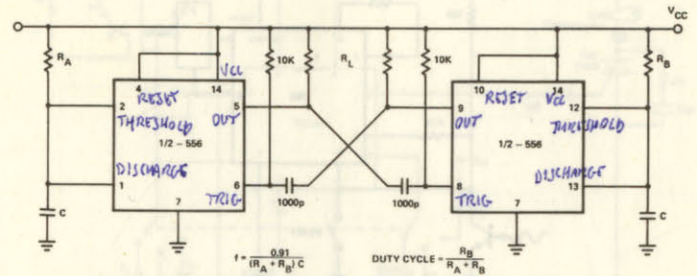


SIMPLE TIME DELAY



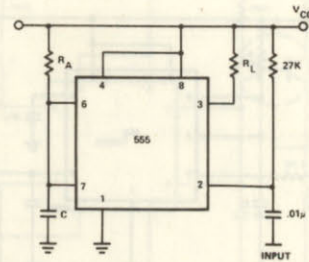
APPLICATIONS (Cont'd)

DUAL ASTABLE



THIS CIRCUIT MAINTAINS THE TEMPERATURE STABILITY OF THE MONOSTABLE MODE FOR ASTABLE OPERATION. IT ALSO ALLOWS A LOAD TO BE DRIVEN IN PUSH-PULL.

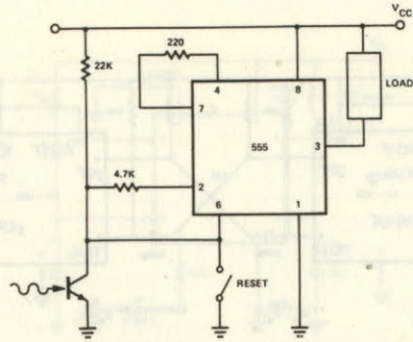
TOUCH CONTROL



THE 27K RESISTOR IS SUITABLE FOR INDUSTRIAL OR PUBLIC ENVIRONMENTS. WITH LOWER AMBIENT NOISE, A HIGHER VALUE OF RESISTOR MAY BE NECESSARY.

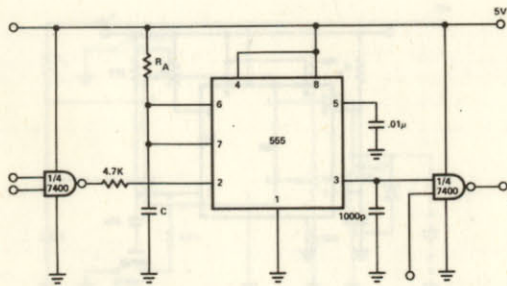
APPLICATIONS (Cont'd)

BURGLAR ALARM



INTERRUPTION OF INCIDENT LIGHT TO THE PHOTOTRANSISTOR CAUSES CURRENT TO FLOW THROUGH THE LOAD.

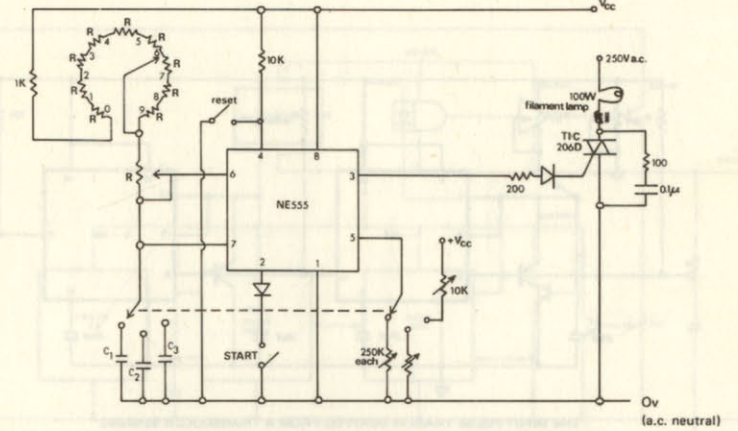
TTL MONOSTABLE



THIS CIRCUIT HAS SUPERIOR TIMING ACCURACY TO CONVENTIONAL TTL MONOSTABLES. THE 4.7K_Ω RESISTOR MAY BE REPLACED BY A DIODE, HAVING THE CATHODE TO THE GATE.

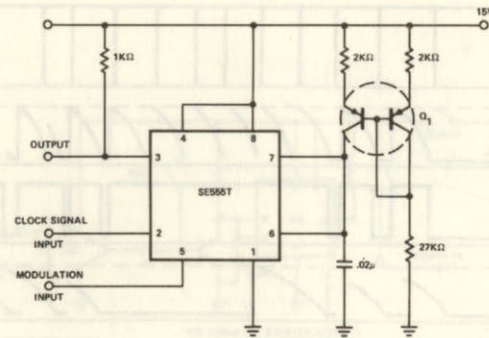
APPLICATIONS (Cont'd)

PHOTOGRAPHIC TIMER



THE SMALL INDUCTOR IN THE LOAD IS TO REDUCE VOLTAGE SPIKES AT SWITCH-ON. IT MAY BE OMITTED IF MAINS SPIKES CAN BE TOLERATED. TO REDUCE RADIATED NOISE FURTHER, THE TRIAC MAY BE DRIVEN FROM A GATED ZERO-CROSSING SWITCH.

LINEAR PULSE WIDTH MODULATOR

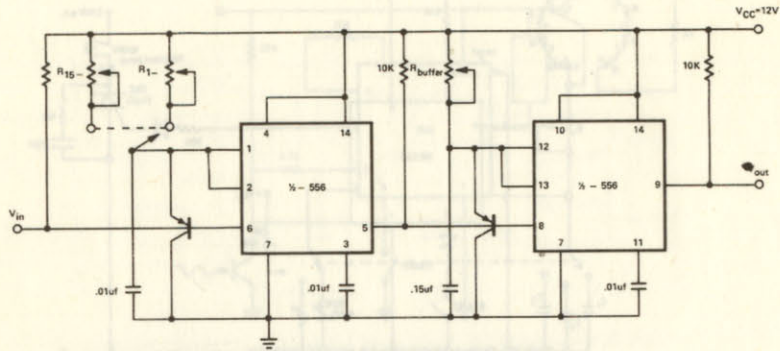


LINEARITY, ±0.2% over +4 to +12 volt input

THE 15V SUPPLY MUST BE WELL-REGULATED.

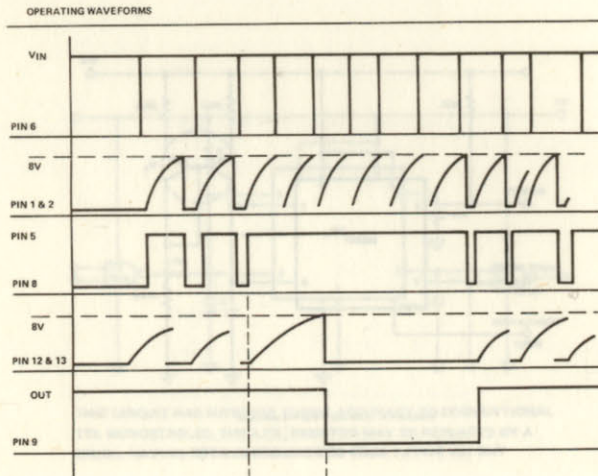
APPLICATIONS (Cont'd)

SPEED WARNING DEVICE

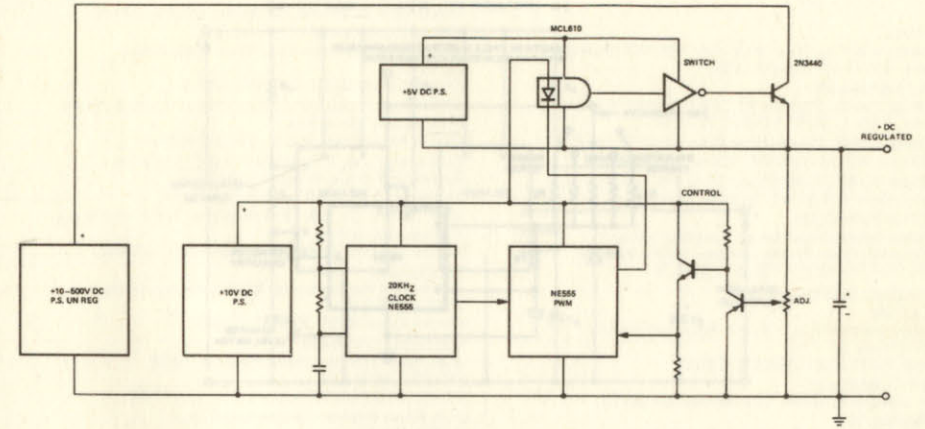


THE INPUT PULSE TRAIN IS DERIVED FROM A TRANSDUCER SENSING THE VEHICLE PROPELLOR SHAFT. THE OUTPUT OF THE SECOND TIMER GOES LOW WHEN A PRESET SPEED IS EXCEEDED.

OPERATING WAVEFORMS

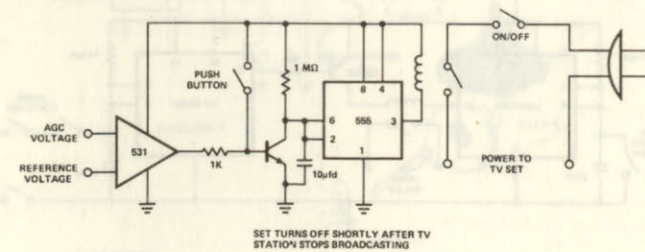


REMOTE CONTROLLED DC SWITCHING REGULATOR



APPLICATION—A PULSE WIDTH MODULATOR TO FEED DIGITAL PULSES INTO SWITCHING SECTION OF REGULATOR PROPORTIONAL TO ERROR SIGNAL. ADJUST POT CAN BE REMOTELY POSITIONED.

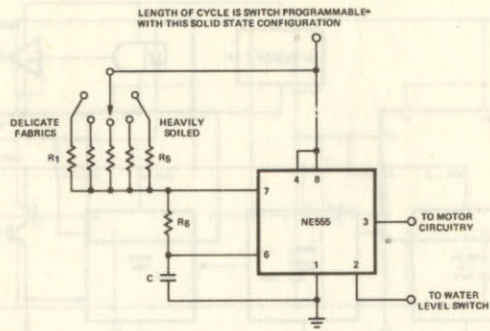
AUTOMATIC TURN OFF FOR TV SET



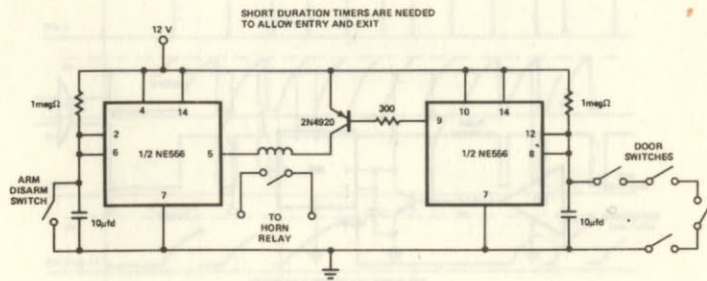
SET TURNS OFF SHORTLY AFTER TV STATION STOPS BROADCASTING

APPLICATIONS (Cont'd)

WASHER TIMER

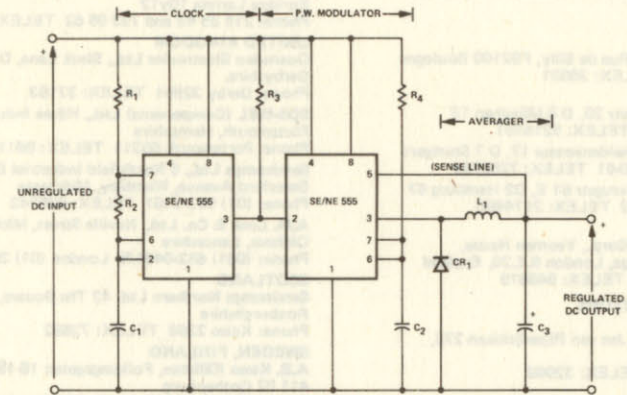


AUTO BURGLAR ALARM

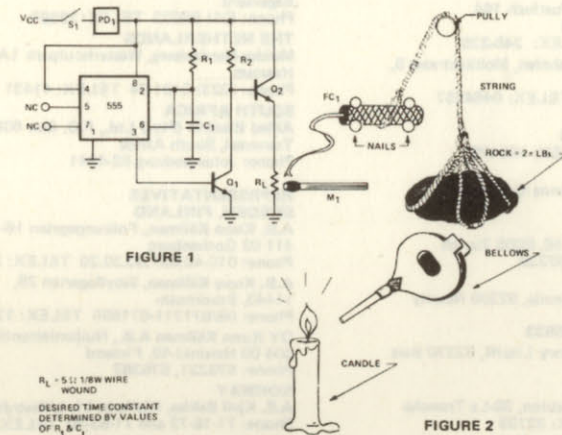


APPLICATIONS (Cont'd)

SWITCHING STEP-DOWN REGULATOR



SCHEMATIC DIAGRAM OF DELAYED LIGHT TURN-OFF



INTERNATIONAL SALES

EUROPEAN HEADQUARTERS & U.K. SALES OFFICE

Signetics International Corp.,
Yeoman House, 63 Croydon Rd.,
Penge, London, S.E.20, England
Phone: (01) 659-2111 TELEX: 946619

FRANCE:

Signetics S.A.R.L., 36 Rue de Sully, F92100 Boulogne
Phone: 604-23-07 TELEX: 26801

WEST GERMANY:

Signetics GmbH, Dantestr 29, D 8 München 19
Phone: (089) 152029 TELEX: 5215191

Signetics GmbH, Ernstthalenstrasse 17, D 7 Stuttgart
80 Phone: (0711) 73-60-61 TELEX: 7255798

Signetics GmbH, Eulenkrugstr 81 E, D2 Hamburg 67
Phone: (040) 60-35-242 TELEX: 2174490

UNITED KINGDOM:

Signetics International Corp., Yeoman House,
63 Croydon Road, Penge, London S.E.20, England
Phone: (01) 659-2111 TELEX: 946619

STOCKING DISTRIBUTORS

BELGIUM

Klaasing Benelux S.A., Jan van Rijswijklaan 278,
2020 Antwerpen
Phone: 03-38,27,07 TELEX: 32969

WEST GERMANY:

EBV Elektronik GmbH, Gabriel-Max-Strasse 72,
8 München 90
Phone: (089) 64-40-55/58 TELEX: 524535

EBV Elektronik GmbH, Myliusstrasse 54, D 6
Frankfurt/Main 1
Phone: (0611) 72-04-16/8 TELEX: 413590

EBV Elektronik GmbH, Oststrasse 129,
4 Düsseldorf
Phone: (020) 8-48-46/7 TELEX: 8587267

Mirotronic International Electronic GmbH,
2 Hamburg 54, Ahornallee 5
Phone: (040) 560-40-54 TELEX: 02 15427

"Mütron" Müller & Co. KG, Postfach 164,
Bornstrasse 22, D28 Bremen 1
Phone: (0421) 31-04-85 TELEX: 245-325

Omni Ray GmbH, 67 Ludwigshafen, Moltkestrasse 8,
Postfach 211023
Phone: (0621) 51,30,55/56 TELEX: 0464557

Distron, 1 Berlin-33,
Mecklenburgische Strasse 24 8
Phone: (030) 82,33,064 TELEX: 185478

AUSTRIA

Ing. Ernst Steiner, A-1130 Vienna Geylingg-16
Phone: 8264615

SWITZERLAND

Omni Ray AG, Dufourstrasse 56, 8008 Zurich
Phone: 01/478200 TELEX: 53239

FRANCE

RTF, 73 Avenue Charles de Gaulle, 92200 Neuilly
Sur Seine
Phone: 722-70-40 TELEX: 65933

REA Distribution, 57 Rue Henry Litolff, 92270 Bois
Colombes
Phone: 242-53-97

Elic 38, 8 Avenue du Grand Sablon, 38-La Tronche
Phone: (76) 87,67,71 TELEX: 32739

ISRAEL

RAPAC Electronics Ltd., 15 Carl Herbst Street,
Tel Baruch, Tel Aviv
Phone: 777115.6.7 TELEX: TV 528

ITALY

Metroelettronica S.A.S., Viale Cirene 18, 20135 Milano
Phone: 546-26-41 TELEX: 33168

signetics

the IC professionals

SPAIN

Atajo Ingenieros S.A., Madrid 16,
Enrique Larreta 10y12
Phone: 215 35 43 and 733 05 62 TELEX: 27249

UNITED KINGDOM

Quarndon Electronics Ltd., Slack Lane, Derby,
Derbyshire,
Phone: Derby 32651 TELEX: 37163

SDS-WEL (Components) Ltd., Hisea Industrial Estate,
Portsmouth, Hampshire
Phone: Portsmouth 65311 TELEX: 86114

Semicomps Ltd., 5 Northfield Industrial Estate,
Beresford Avenue, Wembley, Middlesex
Phone: (01) 903-3161 TELEX: 935243

A.M. Lock & Co. Ltd., Neville Street, Middleton Road,
Oldham, Lancashire
Phone: (061) 652-0431/5 London (01) 253-7521

SCOTLAND

Semicomps Northern Ltd., 42 The Square, Kelso,
Roxburghshire
Phone: Kelso 2366 TELEX: 72692

SWEDEN, FINLAND

A.B. Kuno Källman, Folkungagatan 16-18,
411 02 Gothenburg
Phone: 010,46,031,80,30,20 TELEX: 21072

A.B. Kuno Källman, Sibyllegarten 28,
11443, Stockholm
Phone: 08/671711-671595 TELEX: 17165

OY Kuno Källman A.B., Nuijamiestentie 5C,
004 00 Helsinki 40, Finland
Phone: 575231, 575362

NORWAY

A.S. Kjell Bakke, Kjellerat 11, Lillestrøm 2000
Phone: 71-18-72 and 71-53-30 TELEX: 19407 Batek N

DENMARK

E. Friis-Mikkelsen A/S, Krogshøjvej 51, DK-2880
Bagsvaerd
Phone: (01) 98633 TELEX: 22350

THE NETHERLANDS

Mulder-Hardenberg, Westerhoutpark 1A, P.O. Box 3059,
Haarlem
Phone: (023) 3191 84 TELEX: 41431

SOUTH AFRICA

Allied Electric (Pty.) Ltd., P.O. Box 6090, Dunsward,
Transvaal, South Africa
Phone: Johannesburg 52-4341

REPRESENTATIVES

SWEDEN, FINLAND

A.B. Kuno Källman, Folkungagatan 16-18,
411 02 Gothenburg
Phone: 010,46,031,80,30,20 TELEX: 21072

A.B. Kuno Källman, Sibyllegarten 28,
11443, Stockholm
Phone: 08/671711-671595 TELEX: 17165

OY Kuno Källman A.B., Nuijamiestentie 5C,
004 00 Helsinki 40, Finland
Phone: 575231, 575362

NORWAY

A.S. Kjell Bakke, Kjellerat 11, Lillestrøm 2000
Phone: 71-18-72 and 71-53-30 TELEX: 19407 Batek N

ISRAEL

RAPAC Electronics Ltd., 15 Carl Herbst Street,
Tel Baruch, Tel Aviv
Phone: 777115.0.7 TELEX: TV 528

SWITZERLAND

Omni Ray AG, Dufourstrasse 56, 8008 Zurich
Phone: 01/478200 TELEX: 53239

